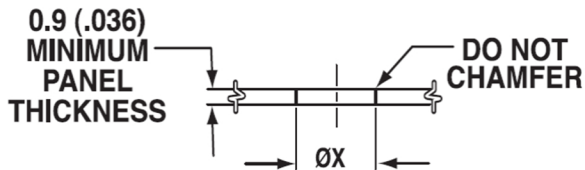


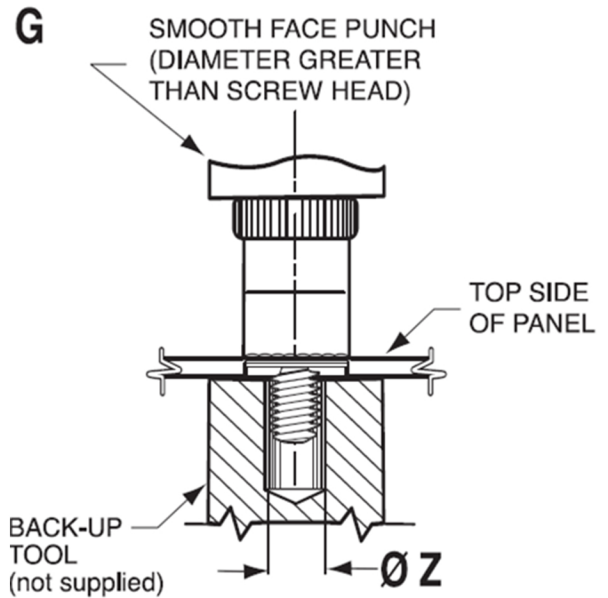
MM SERIES (PRESS-IN) INSTALLATION

Installation Instructions

1. Prepare installation hole for correct thread size* (leave the hole edges sharp - DO NOT CHAMFER)
2. Press-in captive screw as shown. Assure parallel surfaces on the punch and back up tool.



*Recommended minimum distance from edge of panel to center line of hole is $1.5 \times \varnothing X$ for press-in version.



MM SERIES (FLARE-IN) INSTALLATION

Installation Instructions

1. Prepare installation hole for correct thread size*
2. Use minimal force to flare standoff. Parallel surface needed on the punch and back-up tool.

