



QUALITY FASTENERS™



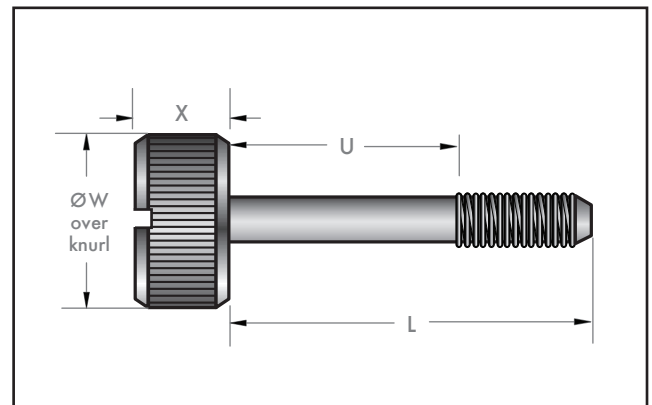
BCS SERIES

BCS screws offer a straightforward, simple captive solution. These polished, slotted, stainless steel screws can be capivated with a retainer and its large knob allows for easy hand actuation.

To complete part number in () below, select thread size from Thread Code and Finish Code below.		
Screw Part Number	L	U
BCS - (Thread) S9-S (Finish)	23.9 (.94)	14.2 (.56)
BCS - (Thread) S10-S (Finish)	25.4 (1.00)	16 (.63)
BCS - (Thread) S11-S (Finish)	26.9 (1.06)	17.5 (.69)
BCS - (Thread) S12-S (Finish)	28.7 (1.13)	19 (.75)
BCS - (Thread) S13-S (Finish)	30.2 (1.19)	20.6 (.81)
BCS - (Thread) S14-S (Finish)	31.8 (1.25)	22.3 (.88)
BCS - (Thread) S15-S (Finish)	33.3 (1.31)	23.9 (.94)
BCS - (Thread) S16-S (Finish)	35.0 (1.38)	25.4 (1.00)

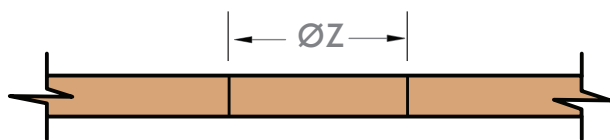
Thread Code	
08	8-32
10	10-32
14	1/4-20
M4	4 mm
M5	5 mm
M6	6 mm

Finish Code	
N	Natural
B	Black Oxide



Thread	ØW	X
M6 / 1/4 - 20	14.3 (.56)	6.3 (.25)
M5 / 8-32 / 10-32	11.1 (.44)	6.3 (.25)
M4	10.3 (.41)	6.0 (.24)

PANEL PREPARATION

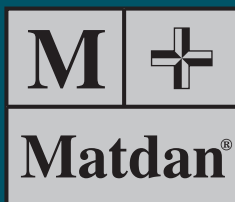


Thread	Z	Thread	Z
8-32	.170	M4	4.5
10-32	.196	M5	5.5
1/4-20	.257	M6	6.6

Material and Finish

Material: 302 Stainless Steel
Finish: Natural or Black Oxide

Additional sizes, threads, drives and materials available. Consult Matdan for assistance.



Standard Products	Installation Styles				Replaces Southco®	Replaces PEM®
	Press-In	Flare-In	Floating	PC Board		
MC Series Retractable Captive Screws	MCP	MCF	MCL	MCB	47	PF11 PF12 PF13 PF14
MP Series Retractable Captive Screws	MPP	MPF	MPL	MPB	–	PF30 PF31 PF32 PF50 PF60
MM Series "Low Head" Miniature Retractable Screws	MMP	MMF	MML	MMB	52	PFS2 PFC2
MS Series "High Head" Miniature Retractable Screws	MSP	MSF	MSL	MSB	52	–
MF Series Flush Mount Captive Screws	√	–	–	–	F5	PF10
Spring Loaded Plungers	√	√	–	√	56	PTL2
MFL Product Series "Speed Lead" Captive Screws					09 12 17	–
SLS "Speed Latch" System					–	–
MTS Series "Snap-In" Captive Screws					–	–
Q Series Quarter-Turn Fasteners & Receptacles					81 82 85	–
MSI Series Threaded Inserts					71 72	–
BCS Series Knurled Captive Screws					58	–

©Southco is a registered trademark of Southco, Inc. PF11, PF12, PF13, PF14, PF30, PF31, PF32, PF50, PF60, PFC, PFC2 & ®PEM are trademarks of Penn Engineering & Manufacturing Corp.

Headquarters: Matdan Corporation Cincinnati, Ohio 45242, USA Tel: 513 - 794 - 0500 Fax: 513 - 794 - 0651 E-mail: sales@matdanfasteners.com	China Division: Matdan (Ningbo) Specialty Hardware Co., Ltd. Ningbo, Zhejiang Province, China 315120 E-mail: sales_cn@matdanfasteners.com
--	--

www.matdanfasteners.com

Matdan, matdanfasteners.com and the Matdan logo are trademarks of the Matdan Corporation. Use allowed only with written permission from Matdan. The contents of this publication are copyrighted 2007 Matdan Corporation. All rights reserved. Copies may be obtained from the company. Published specifications are subject to change without notice.

For ordering information call 513-794-0500 or E-mail: sales@matdanfasteners.com
 Published specifications are subject to change without notice. ©2007 Matdan Corporation. All rights reserved.