

QUALITY FASTENERS™



## MOLDED-IN FASTENER INSERTS

Matdan's molded-in inserts are primarily used to provide a solid fastening point that is potted or mechanically installed into a "sandwich" structure such as honeycomb, soft metals, composites or wood.



Mounted through a single hole in the panel, these non-structural "potted-in" inserts are designed to allow fabrication of aircraft interiors including: galleys, lavatories, paneling and stow bins. They are designed with a flange or flats that are positioned inside the panel core. A potting compound is introduced and flows around the flange providing excellent resistance to shear, tensile and torque loads within the structure.

Offered with a wide range of materials, finishes and options, Matdan has provided custom and standard insert solutions for a variety of fastener applications.

As an ISO:9000 worldwide manufacturer of specialty hardware and fasteners for 20 years, Matdan meets the National Aerospace Specifications for NAS1832 and NAS1836 inserts.

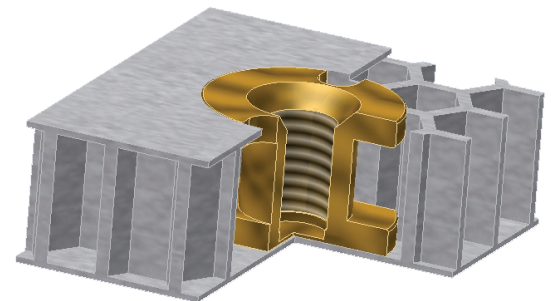
## Series Type / Description

**MIT** - Molded-in Insert, Blind Threaded, Lightweight, Sandwich Style

**MIF** - Molded-in Insert, Blind Threaded, Lightweight, Countersunk, Sandwich Style

**MJT** - Molded-in Insert, Blind Threaded, Sandwich Style

Cross Reference				
Matdan	The Young Engineers	Shur-Lok	Alcoa (AFS)	OEM / Industry Standard
<b>MIT Series</b>	TYE2001	SL607	D1836	NAS1836 CDIN07
<b>MIF Series</b>	TYE2161	-	-	CDSP5905
<b>MJT Series</b>	TYE2002	SL601 SL611	D1832	NAS1832 CDIN08



\*Available with NAS1837 adhesive-backed plastic installation tabs.

\*To the best of Matdan's knowledge, the interchangeability of the above cross referenced part numbers is correct and accurate. Verification and suitability by application is suggested for your specific application. Contact Matdan Customer Service for additional questions.

## Part Number Callout

Product Series	Thread Size				Length Code			Lock Type		Material		Finish		Lube	
MIT	04	4-40	M4	4mm	3	10	*See notation below	L	Self-Locking	C	Carbon	C	Cadmium (yellow)	M	Solid Film Lube
MIF	06	6-32	M5	5mm	4	11		N	Non Self-Locking	S	Stainless	CL	Cadmium (clear)		None
MJT	08	8-32	M6	6 mm	5	12				A	Aluminum	P	Passivate		
	10	10-32	18	1/4-28	6	13						A	Anodize		
	14	14-20	U	Unthreaded	7	14						N	Natural Finish		
	M3	3mm	54	5/16-24	8	15						S	Silver		
	35	3.5mm	34	3/8-9	9										

\* For MIT and MIF length, multiply code number x 0.031"

For MJT length, multiply code number x 0.125"



Matdan Corporation, founded in 1992, is a worldwide supplier of standard and specialty fasteners. Since our inception, we have emerged as a market leader in the fastener industry, specializing in Aerospace inserts, captive screw fasteners, engineered specialty fasteners and related hardware. As a customer-driven solutions provider, we earn credibility and establish successful relationships by exceeding expectations for professional service, quality products and on-time delivery.

Headquartered in Cincinnati, Ohio, Matdan Corporation operates manufacturing facilities in the United States and China to better serve our customers worldwide. Matdan's extensive manufacturing capabilities include modelling, technical experience to design special fasteners and hardware for unique and specific applications.

Matdan Corporation wants to be your premier supplier of fasteners and hardware. Please contact us with your design requirements and allow us to provide an innovative solution for you today.

<p><b>Headquarters:</b> <b>Matdan Corporation</b> Cincinnati, Ohio 45242, USA Tel: 513 - 794 - 0500 Fax: 513 - 794 - 0651 E-mail: sales@matdanfasteners.com</p>	<p><b>China Division:</b> <b>Matdan (Ningbo)</b> <b>Specialty Hardware Co., Ltd.</b> Ningbo, Zhejiang Province, China 315120 E-mail: sales_cn@matdanfasteners.com</p>
<b><a href="http://www.matdanfasteners.com">www.matdanfasteners.com</a></b>	

Matdan, matdanfasteners.com and the Matdan logo are trademarks of the Matdan Corporation. Use allowed only with written permission from Matdan. The contents of this publication are copyrighted 2011 Matdan Corporation. All rights reserved. Copies may be obtained from the company. Published specifications are subject to change without notice.

**For ordering information call 513-794-0500 or E-mail: sales@matdanfasteners.com**  
Published specifications are subject to change without notice. ©2011 Matdan Corporation. All rights reserved.